

type number	for height of cable tray	thickness of metal sheet	weight kg/pc	amount of bolts for connection	🔥
<b>NRD 50_S</b>	50	0,7	0,12	2	🔥
<b>NRD 50_F</b>			0,16		
<b>NRD 100_S</b>	100	0,7	0,47	4	🔥
<b>NRD 100_F</b>			0,55		



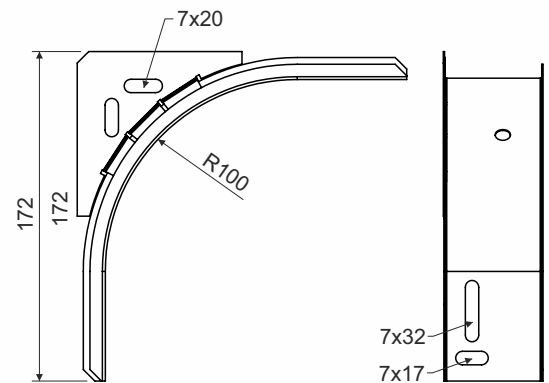
product description: It is used for making an additional branching use an unequal T-piece or cross.  
 Advantage of this using is availability to choose bending tray with any width.

The reduction piece is delivered in singles, must be used 2 pieces for installation.

The connection is performed using the bolts NSM 6X10. To protect the cables, the bolt head is inside the cable tray.

A bolt with a GMT surface finish is used for a tray with an F surface finish.

These items can also be ordered in a varnished version.



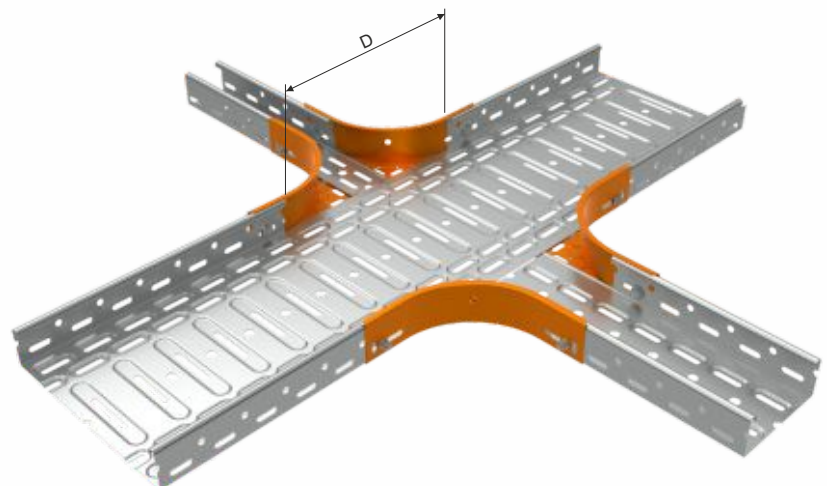
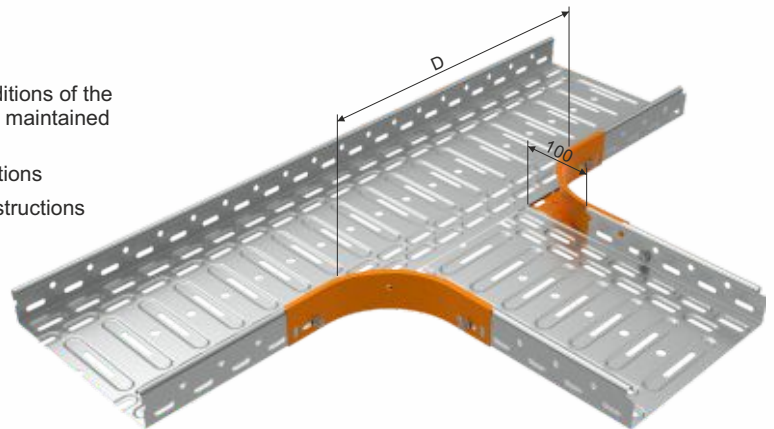
surface finish: S - Pre-Galvanized, zinc-layer 15 - 27 µm  
 F - Hot Dip Galvanized, zinc-layer 45 µm (min. 35 µm)

sales amount: á 1 pc

meets the requirements: ČSN 61537:02

classification 🔥: ČSN 73 0895 P 90-R  
 DIN 4102-12 E 90  
 STN 92 0205 PS 90  
 Fire classification depends on the specific conditions of the cable tray, detailed in the catalog Systems with maintained functionality in fire  
 🔥 products are approved for standard constructions  
 🔥 products are approved for non-standard constructions

storage: ČSN EN 60721-3-1



D = length of cut out side wall of the tray

width of cable tray	D
62	262
125	325
250	450
500	700