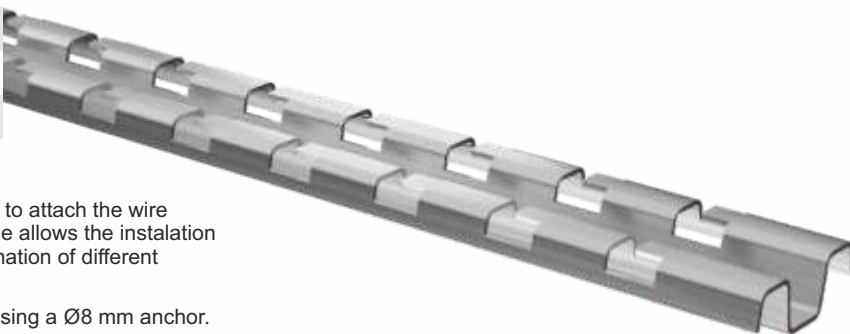


load bearing profile to the ceiling/ wall for wire cable trays

item number	L (mm)	metal sheet (mm)	weight (kg/pc)
<b>DZSSP 1000_VS</b>	1000	2,0	1,51
<b>DZSSP 2000_VS</b>	2000	2,0	3,03
<b>DZSSP 3000_VS</b>	2990	2,0	4,54



**product description:** The load bearing profile is designed to attach the wire trays to the wall or ceiling. The profile allows the installation of multiple wire trays, even a combination of different dimensions, on one profile.

The profile is attached to the base using a Ø8 mm anchor.

The wire tray is placed on the load bearing profile in the prepared cut-outs.

**surface finish:** VS - Pre-Galvanized according to EN 10346, EN 10143, zinc-layer 15-27 µm

**meets the requirements:** EN 61537:02

**classification:** ČSN 73 0895 P 90-R  
 DIN 4102-12 E 90  
 STN 92 0205 PS 90  
 Fire classification depends on the specific conditions of the cable tray, detailed in the catalog Systems with maintained functionality in fire.  
 Products are approved for non-standard constructions.

**storage:** ČSN EN 60721-3-1

